

Possible applications include :



Sliding gate



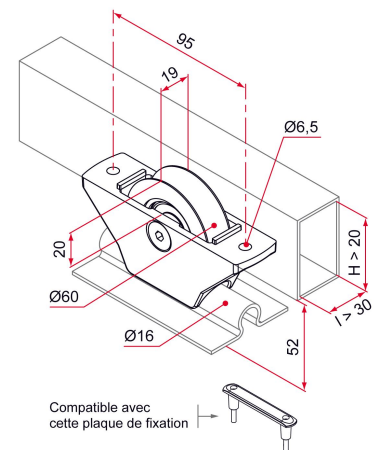
Features

- Powder-coated aluminum bracket Zinc-plated or stainless steel roller Load capacity per roller 200 Kg With corrosion-resistant screws (Géomet®)



Tip

- The fixing plate (see diagram) is compatible with this roller.

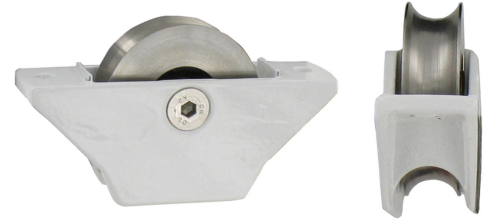


Products to be ordered from :
 TIRARD SAS 16, Avenue du Vimeu Vert Z.A. du Vimeu Industriel 80210
 FEUQUIERES-EN-VIMEU
 email : commande@tirard-burgaud.com

Possible applications include :



Sliding gate



Référence	Wheel material	Finish	GENCOD 3661598	Condit. par	Délai j
NN192050	steel	9005-80%	04012 9	1	7
NN191050	steel	9016-80%	04011 2	1	7
NN1XX050	steel		04013 6	1	21
NN492050	stainless steel	9005-80%	04022 8	1	7
NN491050	stainless steel	9016-80%	04021 1	1	7
NN4XX050	stainless steel		04023 5	1	21

Multi-RAL : specify your color when placing the order (<https://www.couleursral.fr/ral-classic>)