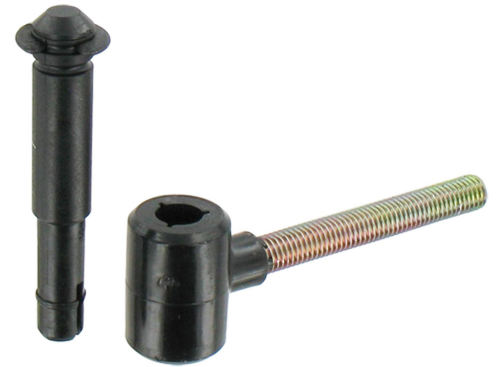


Possible applications include :

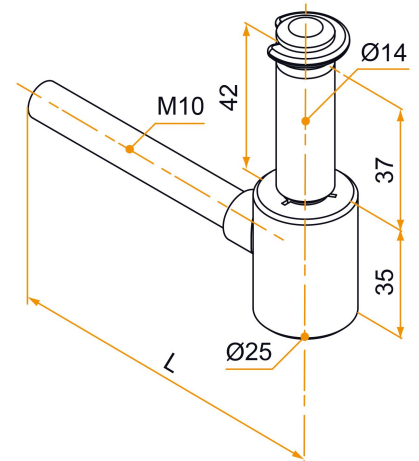


PVC and Aluminum
wing shutter
accessories



Features

- Steel overmolded Composite body with threaded steel tip
- Snap-in axle with treated steel insert



Products to be ordered from :
BURGAUD SAS 147, rue des Paludiers Z.I. des Mares 85270 SAINT-HILAIRE-DE-RIEZ
email : commande@tirard-burgaud.com

Possible applications include :



PVC and Aluminum
wing shutter
accessories



Référence	L	Ø	Finish	Composite part	GENCOD 3565920	Condit. par	Délai j
900615	80	14	black	black	03667 8	100	14
800615	80	14	white	white	03021 8	100	14
900618	130	14	black	black	03668 5	100	14
800618	130	14	white	white	03022 5	100	14
900619	180	14	black	black	11223 5	100	14
800619	180	14	white	white	14225 6	100	14

Multi-RAL : specify your color when placing the order (<https://www.couleursral.fr/ral-classic>)