

Possible applications include :

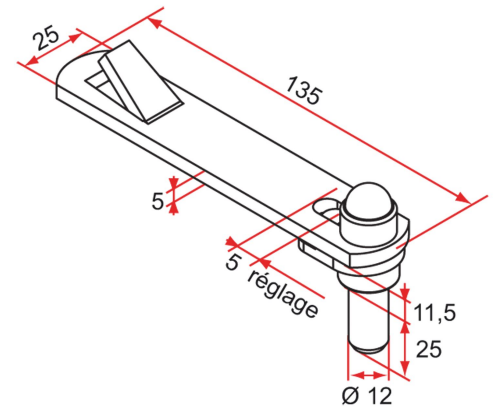


Swinging gate
accessories



Features

- Black powder-coated steel bracket
Stainless steel axle
Composite pivot sleeve
Polyamide screw cover cap



Products to be ordered from :
TIRARD SAS 16, Avenue du Vimeu Vert Z.A. du Vimeu Industriel 80210
FEUQUIERES-EN-VIMEU
email : commande@tirard-burgaud.com



Advantage Sealed Hinge - 25x135 - pivot Ø12, H.25

Possible applications include :



Swinging gate
accessories



Référence	Finish	GENCOD 3661598	Condit. par	Délai j
NA192001	Zn noir	02108 1	1	7

Multi-RAL : specify your color when placing the order (<https://www.couleursral.fr/ral-classic>)