

Possible applications include :



Swinging gate accessories



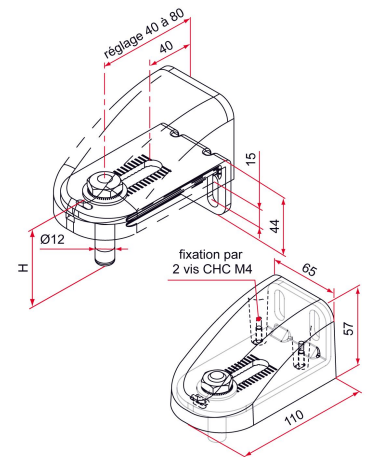
Features

- Zinc-plated + powder-coated steel base



Tip

- Cdt /20: Loose in a carton, 1 bag of screws, 1 bag of 20 brackets, and 1 bag of 20 covers (for the covered version) + instructions. Cdt/10: 1 individual bag (spare parts in a bag), 10 bags in a carton + instructions. Cdt/1: 1 individual bag (spare parts in a bag).



Products to be ordered from :
TIRARD SAS 16, Avenue du Vimeu Vert Z.A. du Vimeu Industriel 80210
FEUQUIERES-EN-VIMEU
email : commande@tirard-burgaud.com



L-shaped flat hinge with aluminum casing - H.57 - adjustable from 40 to 80 - pivot Ø12, H.25 or 35

Possible applications include :



Swinging gate accessories



Référence	H	Finish	GENCOD 3661598	Condit. par	Délai j
NA392013	25	9005-80%	03965 9	10	7
NA391013	25	9016-80%	03964 2	10	7
NA3XX013	25		03966 6	1	21
NA392011	25	9005-80%	03957 4	20	7
NA391011	25	9016-80%	03956 7	20	7
NA392014	35	9005-80%	03969 7	10	7
NA391014	35	9016-80%	03968 0	10	7
NA3XX014	35		03970 3	1	21
NA392012	35	9005-80%	03961 1	20	7
NA391012	35	9016-80%	03960 4	20	7

Multi-RAL : specify your color when placing the order (<https://www.couleursral.fr/ral-classic>)