

Possible applications include :



Swinging gate  
accessories



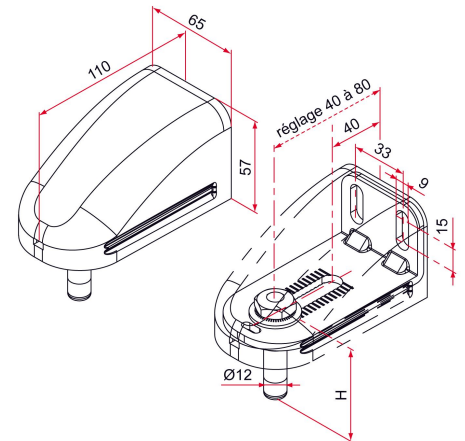
## Features

- Hinge with zinc-plated + powder-coated steel base



### Tip

- Cdt /20: Loose in a carton, 1 bag of screws, 1 bag of 20 brackets, and 1 bag of 20 casings (for the covered version) + instructions. Cdt/10: 1 individual bag (spare parts in a bag), 10 bags in a carton + instructions. For other RAL colors, please consult us. The beige casing is in harmony with RAL1015.



Products to be ordered from :  
TIRARD SAS 16, Avenue du Vimeu Vert Z.A. du Vimeu Industriel 80210  
FEUQUIERES-EN-VIMEU  
email : [commande@tirard-burgaud.com](mailto:commande@tirard-burgaud.com)



# L-shaped flat hinge with composite casing - H.57 - adjustable from 40 to 80 - pivot Ø12, H.25 or 35

Possible applications include :



Swinging gate accessories



Référence	H	Finish	GENCOD 3661598	Condit. par	Délai j
NA592003	25	black	03833 1	10	7
NA591003	25	white	03832 4	10	7
NA515003	25	beige	03865 2	10	7
NA592001	25	black	03829 4	20	7
NA591001	25	white	03828 7	20	7
NA515001	25	beige	03863 8	20	7
NA592004	35	black	03835 5	10	7
NA591004	35	white	03834 8	10	7
NA515004	35	beige	03866 9	10	7
NA592002	35	black	03831 7	20	7
NA591002	35	white	03830 0	20	7
NA515002	35	beige	03864 5	20	7

Multi-RAL : specify your color when placing the order (<https://www.couleursral.fr/ral-classic>)