

Possible applications include :

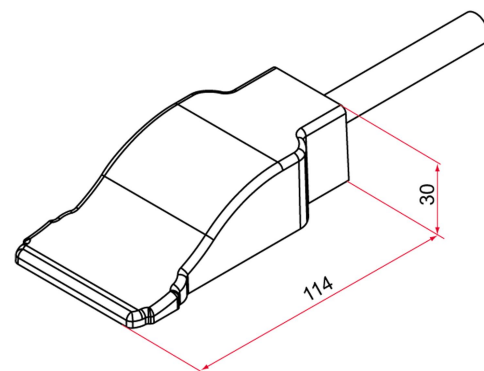


Swinging gate accessories



## Features

- Base and ear in copper-aluminium Cover in aluminium




Products to be ordered from :  
 TIRARD SAS 16, Avenue du Vimeu Vert Z.A. du Vimeu Industriel 80210  
 FEUQUIERES-EN-VIMEU  
 email : [commande@tirard-burgaud.com](mailto:commande@tirard-burgaud.com)

Possible applications include :



Swinging gate accessories



Référence	Finish	GENCOD 3661598	Condit. par	Délai j
NA392001	9005-80%	01825 8	1	14
NA391001	9016-80%	01824 1	25	14
NA3XX001		01826 5	1	21

 Multi-RAL : specify your color when placing the order (<https://www.couleursral.fr/ral-classic>)