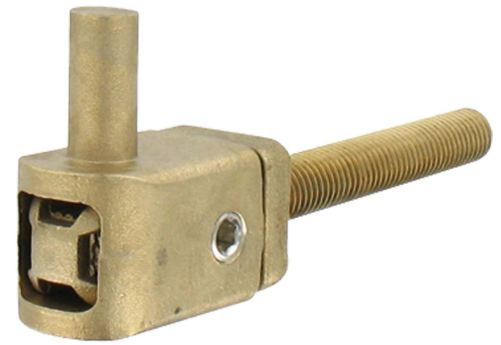


Possible applications include :

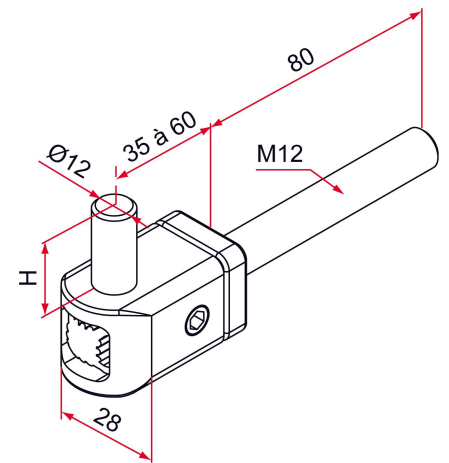


Swinging gate accessories



Features

- Base and ear in copper-aluminium

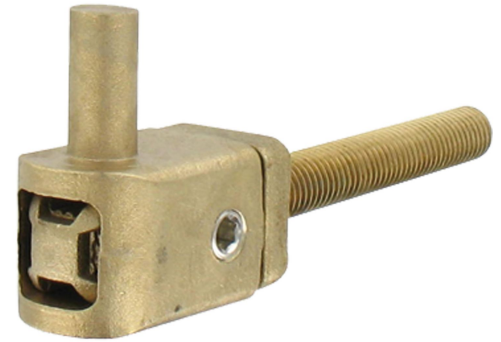


Products to be ordered from :
 TIRARD SAS 16, Avenue du Vimeu Vert Z.A. du Vimeu Industriel 80210
 FEUQUIERES-EN-VIMEU
 email : commande@tirard-burgaud.com

Possible applications include :



Swinging gate accessories



Référence	H	Finish	GENCOD 3661598	Condit. par	Délai j
NA692004	25	9005-80%	01686 5	25	7
NA691004	25	9016-80%	00934 8	25	14
NA619004	25	raw	00688 0	1	7
NA6XX004	25		01413 7	1	21
NA692014	35	9005-80%	01695 7	25	7
NA691014	35	9016-80%	00944 7	25	7
NA619014	35	raw	00698 9	1	7
NA6XX014	35		01506 6	1	21

Multi-RAL : specify your color when placing the order (<https://www.couleursral.fr/ral-classic>)