

Possible applications include :



Swinging gate accessories



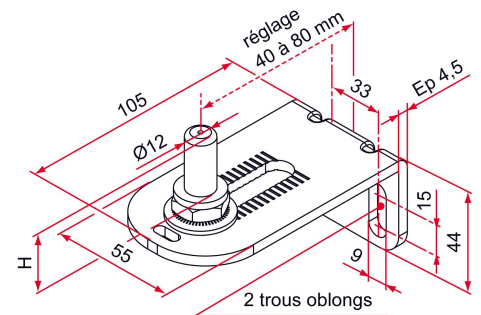
Features

- Zinc-plated + powder-coated steel base



Tip

- Cdt /20: Loose in a carton, 1 bag of screws, 1 bag of 20 brackets, and 1 bag of 20 casings (for the covered version) + instructions. Cdt/10: 1 individual bag (spare parts in a bag), 10 bags in a carton + instructions.



Products to be ordered from :
 TIRARD SAS 16, Avenue du Vimeu Vert Z.A. du Vimeu Industriel 80210
 FEUQUIERES-EN-VIMEU
 email : commande@tirard-burgaud.com

Possible applications include :



Swinging gate accessories



Référence	H	Finish	GENCOD 3661598	Condit. par	Délai j
NA192023	25	9005-80%	03841 6	10	7
NA191023	25	9016-80%	03840 9	10	7
NA125023	25	1015	04212 3	10	14
NA192021	25	9005-80%	03837 9	20	7
NA191021	25	9016-80%	03836 2	20	7
NA125021	25	1015	04211 6	20	14
NA1XX023	25		04311 3	1	21
NA192024	35	9005-80%	03843 0	10	7
NA191024	35	9016-80%	03842 3	10	7
NA125024	35	1015	04214 7	10	14
NA191022	35	9016-80%	03838 6	20	7
NA192022	35	9005-80%	03839 3	20	7
NA125022	35	1015	04213 0	20	14
NA1XX022	35		04130 0	1	21

Multi-RAL : specify your color when placing the order (<https://www.couleursral.fr/ral-classic>)