

Possible applications include :



PVC and Aluminum
wing shutter
accessories



Features

- Aluminum Robust Extruded eye Aesthetic Sold without the axle

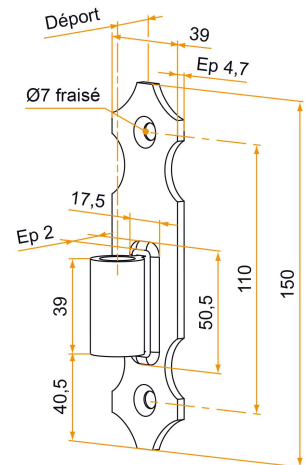


Tip

- The single and double circlip shafts are compatible with this product.

ATTENTION

- Please use our Ø14 polyamide axle to avoid obstructing the top fixing hole of the plate.



Products to be ordered from :
BURGAUD SAS 147, rue des Paludiers Z.I. des Mares 85270 SAINT-HILAIRE-DE-RIEZ
email : commande@tirard-burgaud.com

Possible applications include :



PVC and Aluminum
wing shutter
accessories



Référence	Offset	Thickness	Finish	GENCOD 3565920	Condit. par	Délai j
3GD92022	19	4.7	9005-30%	17788 3	50	14
3GD91013	19	4.7	9016-80%	17785 2	50	14
3GD92022RAL	19	4.7		17789 0	1	21
3GD92036	26	4.7	9005-30%	19046 2	50	21
3GD91024	26	4.7	9016-80%	19047 9	50	21
3GD92036RAL	26	4.7		19048 6	1	21
3GD92037	33	4.7	9005-30%	19050 9	25	21
3GD91025	33	4.7	9016-80%	19051 6	25	21
3GD92037RAL	33	4.7		19052 3	1	21
3GD92023	38	4.7	9005-30%	17790 6	25	21
3GD91014	38	4.7	9016-80%	17786 9	25	21
3GD92023RAL	38	4.7		17791 3	1	21
3GD92038	40	4.7	9005-30%	19054 7	25	21
3GD91026	40	4.7	9016-80%	19055 4	25	21
3GD92038RAL	40	4.7		19056 1	1	21
3GD92024	48	4.7	9005-30%	16278 0	25	21
3GD91015	48	4.7	9016-80%	17787 6	25	21
3GD92024RAL	48	4.7		17792 0	1	21

Multi-RAL : specify your color when placing the order (<https://www.couleursral.fr/ral-classic>)