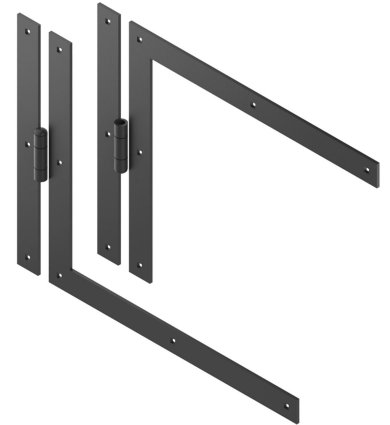


Possible applications include :

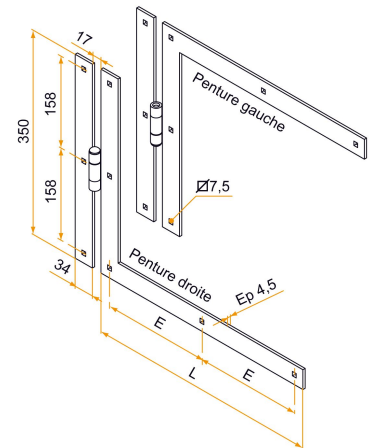


Wooden wing shutter accessories



Features

- In steel. Composition: 1 left hinge corner hinge non-removable,
1 right hinge corner hinge non-removable.



Products to be ordered from :
BURGAUD SAS 147, rue des Paludiers Z.I. des Mares 85270 SAINT-HILAIRE-DE-RIEZ
email : commande@tirard-burgaud.com

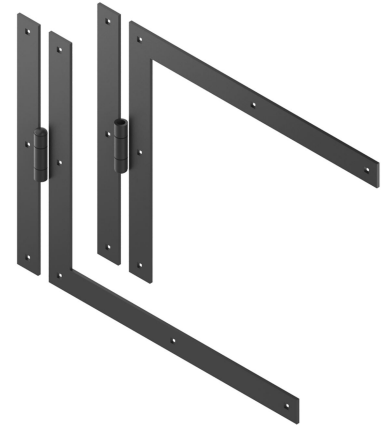


Kit of 2 square hinges brackets - square end - Ø10 - H.350 - 34x4.5 - square holes of 7.5

Possible applications include :



Wooden wing shutter
accessories



Référence	L	CD	No. of holes	Finish	GENCOD 3565920	Condit. par	Délai j
1KI92063	400	183	5+3	9005-30%	17363 2	1	21
1KI92064	450	138	6+3	9005-30%	17364 9	1	21
1KI92065	500	155	6+3	9005-30%	15143 2	1	21
1KI92066	550	172	6+3	9005-30%	17365 6	1	21

 Multi-RAL : specify your color when placing the order (<https://www.couleursral.fr/ral-classic>)