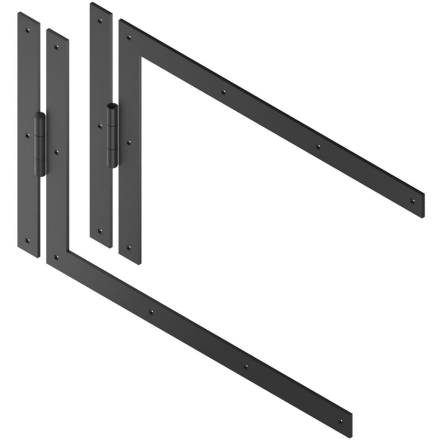


Possible applications include :

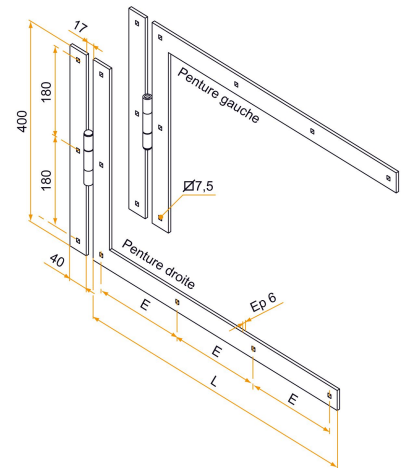


Wooden wing shutter accessories



Features

- In steel. Composition: 1 left hinge corner hinge non-removable,
 1 right hinge corner hinge non-removable.



Products to be ordered from :
 BURGAUD SAS 147, rue des Paludiers Z.I. des Mares 85270 SAINT-HILAIRE-DE-RIEZ
 email : commande@tirard-burgaud.com

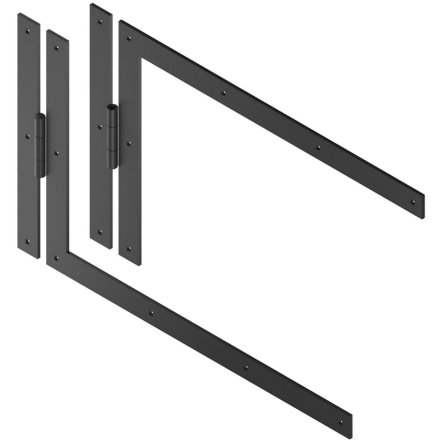


Kit of 2 square hinges brackets - square end - Ø10 - H.400 - 40x6 - square holes of 7.5

Possible applications include :



Wooden wing shutter
accessories



Référence	L	CD	No. of holes	Finish	GENCOD 3565920	Condit. par	Délai j
1KI92067	600	187	6+3	9005-30%	15326 9	1	21
1KI92068	700	165	7+3	9005-30%	17366 3	1	21
1KI92069	800	190	7+3	9005-30%	15153 1	1	21
1KI92070	1000	192	8+3	9005-30%	15327 6	1	21
1KI92071	1200	193	9+3	9005-30%	15328 3	1	21

 Multi-RAL : specify your color when placing the order (<https://www.couleursral.fr/ral-classic>)