

Possible applications include :



Wooden wing shutter accessories



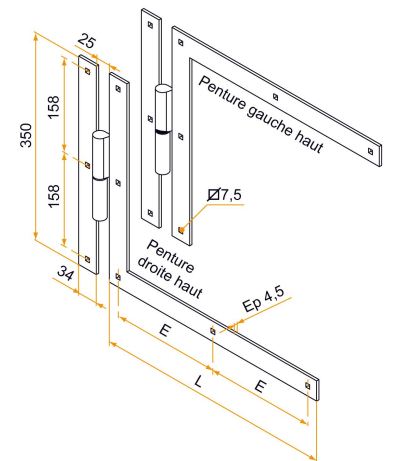
Features

- In steel Composition: 1 high hinge corner hinge 1 low hinge corner hinge



Tip

- The orientation (e.g. top left + bottom left) of the hinges is given in relation to an external view (street side).



Products to be ordered from :
 BURGAUD SAS 147, rue des Paludiers Z.I. des Mares 85270 SAINT-HILAIRE-DE-RIEZ
 email : commande@tirard-burgaud.com



Kit of 2 square hinges brackets - square end - Ø12 - H.350 - 34x4.5 - square holes of 7.5

Possible applications include :



Wooden wing shutter
accessories



Référence	L	Content	CD	No. of holes	Finish	GENCOD 3565920	Condit. par	Délai j
1KI92085G	400	Left Top + Low left	183	3+5	9005-30%	18030 2	1	21
1KI92085D	400	high right + low right	183	3+5	9005-30%	18029 6	1	21
1KI92086G	450	Left Top + Low left	138	3+6	9005-30%	17377 9	1	21
1KI92086D	450	high right + low right	138	3+6	9005-30%	17376 2	1	21
1KI92087G	500	Left Top + Low left	155	3+6	9005-30%	17379 3	1	21
1KI92087D	500	high right + low right	155	3+6	9005-30%	17378 6	1	21
1KI92088G	550	Left Top + Low left	172	3+6	9005-30%	17381 6	1	21
1KI92088D	550	high right + low right	172	3+6	9005-30%	17380 9	1	21

Multi-RAL : specify your color when placing the order (<https://www.couleursral.fr/ral-classic>)