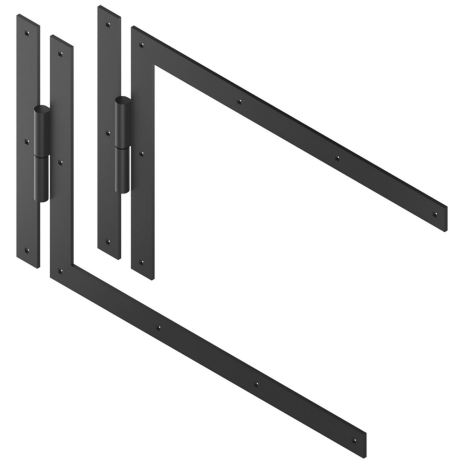


Possible applications include :



Wooden wing shutter accessories



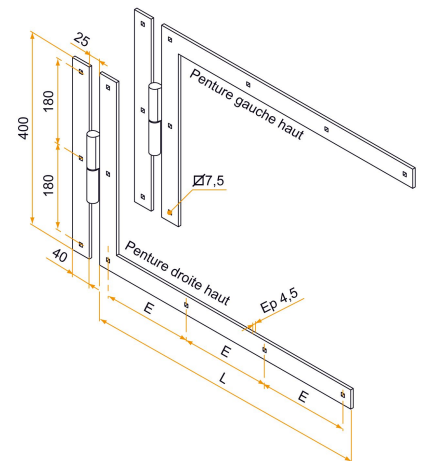
Features

- In steel Composition: 1 high hinge corner hinge 1 low hinge corner hinge



Tip

- The orientation (e.g. top left + bottom left) of the hinges is given in relation to an external view (street side).



Products to be ordered from :
 BURGAUD SAS 147, rue des Paludiers Z.I. des Mares 85270 SAINT-HILAIRE-DE-RIEZ
 email : commande@tirard-burgaud.com

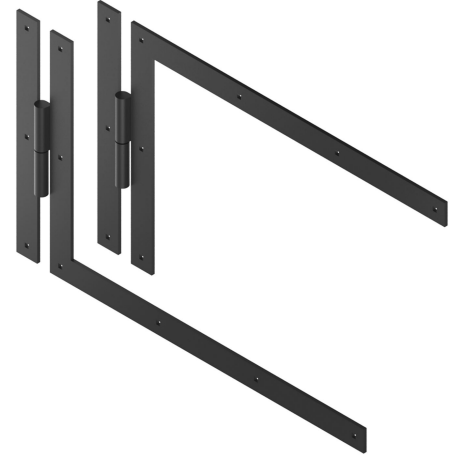


Kit of 2 square hinges brackets - square end - Ø12 - H.400 - 40x6 - square holes of 7.5

Possible applications include :



Wooden wing shutter
accessories



Référence	L	Content	CD	No. of holes	Finish	GENCOD 3565920	Condit. par	Délai j
1KI92089G	600	Left Top + Low left	187	3+6	9005-30%	17383 0	1	21
1KI92089D	600	high right + low right	187	3+6	9005-30%	17382 3	1	21
1KI92090G	700	Left Top + Low left	165	3+7	9005-30%	17385 4	1	21
1KI92090D	700	high right + low right	165	3+7	9005-30%	17384 7	1	21
1KI92091G	800	Left Top + Low left	190	3+7	9005-30%	17387 8	1	21
1KI92091D	800	high right + low right	190	3+7	9005-30%	17386 1	1	21
1KI92092G	1000	Left Top + Low left	192	3+8	9005-30%	17389 2	1	21
1KI92092D	1000	high right + low right	192	3+8	9005-30%	17388 5	1	21

Multi-RAL : specify your color when placing the order (<https://www.couleursral.fr/ral-classic>)