

Possible applications include :

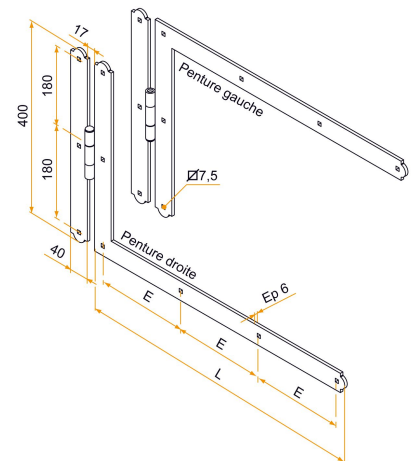


Wooden wing shutter accessories



Features

- In steel. Composition: 1 left hinge corner hinge non-removable, 1 right hinge corner hinge non-removable.



Products to be ordered from :
 BURGAUD SAS 147, rue des Paludiers Z.I. des Mares 85270 SAINT-HILAIRE-DE-RIEZ
 email : commande@tirard-burgaud.com



Kit of 2 square hinges - round end - Ø10 - H.400 - 40x6 - square holes of 7.5

Possible applications include :



Wooden wing shutter accessories



Référence	L	CD	No. of holes	Finish	GENCOD 3565920	Condit. par	Délai j
1KI92078	600	187	9+3	9005-30%	17370 0	1	SD
1KI92079	700	165	10+3	9005-30%	17371 7	1	SD
1KI92080	800	190	10+3	9005-30%	17372 4	1	SD
1KI92081	1000	192	11+3	9005-30%	17373 1	1	SD
1KI92082	1200	193	12+3	9005-30%	17374 8	1	SD

 Multi-RAL : specify your color when placing the order (<https://www.couleursral.fr/ral-classic>)