

Possible applications include :



Wooden wing shutter accessories



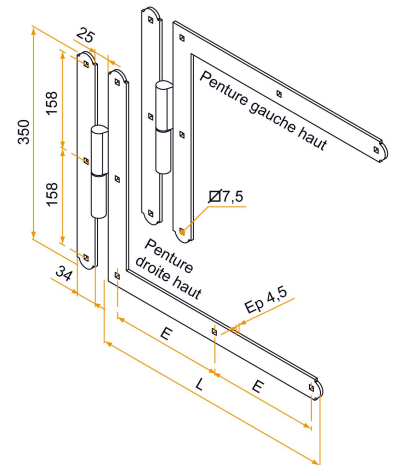
Features

- In steel Composition: 1 high hinge corner hinge 1 low hinge corner hinge



Tip

- The orientation (e.g. top left + bottom left) of the hinges is given in relation to an external view (street side).



Products to be ordered from :
BURGAUD SAS 147, rue des Paludiers Z.I. des Mares 85270 SAINT-HILAIRE-DE-RIEZ
email : commande@tirard-burgaud.com

Possible applications include :



Wooden wing shutter accessories



Référence	L	Content	CD	No. of holes	Finish	GENCOD 3565920	Condit. par	Délai j
1KI92099G	400	Left Top + Low left	183	3+5	9005-30%	17393 9	1	21
1KI92099D	400	high right + low right	183	3+5	9005-30%	17392 2	1	21
1KI92100G	450	Left Top + Low left	138	3+6	9005-30%	17395 3	1	21
1KI92100D	450	high right + low right	138	3+6	9005-30%	17394 6	1	21
1KI92101G	500	Left Top + Low left	155	3+6	9005-30%	17397 7	1	21
1KI92101D	500	high right + low right	155	3+6	9005-30%	17396 0	1	21
1KI92102G	550	Left Top + Low left	172	3+6	9005-30%	17399 1	1	21
1KI92102D	550	high right + low right	172	3+6	9005-30%	17398 4	1	21

Multi-RAL : specify your color when placing the order (<https://www.couleursral.fr/ral-classic>)