

Possible applications include :



Wooden wing shutter accessories



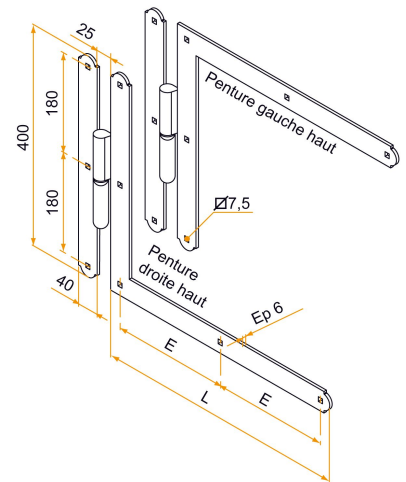
Features

- In steel Composition: 1 high hinge corner hinge 1 low hinge corner hinge



Tip

- The orientation (e.g. top left + bottom left) of the hinges is given in relation to an external view (street side).



Products to be ordered from :
BURGAUD SAS 147, rue des Paludiers Z.I. des Mares 85270 SAINT-HILAIRE-DE-RIEZ
email : commande@tirard-burgaud.com



Kit of 2 square hinges - round end - Ø12 - H.400 - 40x6 - square holes of 7.5

Possible applications include :



Wooden wing shutter accessories



Référence	L	Content	CD	No. of holes	Finish	GENCOD 3565920	Condit. par	Délai j
1KI92103G	600	Left Top + Low left	187	3+6	9005-30%	17401 1	1	SD
1KI92103D	600	high right + low must	187	3+6	9005-30%	17400 4	1	SD
1KI92104G	700	Left Top + Low left	165	3+7	9005-30%	17403 5	1	SD
1KI92104D	700	high right + low must	165	3+7	9005-30%	17402 8	1	SD
1KI92105G	800	Left Top + Low left	190	3+7	9005-30%	17405 9	1	SD
1KI92105D	800	high right + low must	190	3+7	9005-30%	17404 2	1	SD
1KI92106G	1000	Left Top + Low left	192	3+8	9005-30%	17407 3	1	SD
1KI92106D	1000	high right + low must	192	3+8	9005-30%	17406 6	1	SD

Multi-RAL : specify your color when placing the order (<https://www.couleursral.fr/ral-classic>)