

Possible applications include :

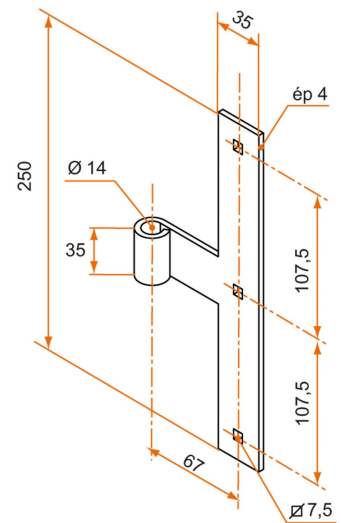


Stainless steel
accessories



Features

- In 316L stainless steel. Composition: 2 intermediate hinges.



Products to be ordered from :
BURGAUD SAS 147, rue des Paludiers Z.I. des Mares 85270 SAINT-HILAIRE-DE-RIEZ
email : commande@tirard-burgaud.com



Intermediate hinge kit - square end - Ø14 - H.250 - 35x4 - square holes of 7.5

Possible applications include :



Stainless steel
accessories



Référence	H	Ø	Finish	GENCOD 3565920	Condit. par	Délai j
4KI01002	250	14	polite	14243 0	1	14

 Multi-RAL : specify your color when placing the order (<https://www.couleursral.fr/ral-classic>)