

Possible applications include :

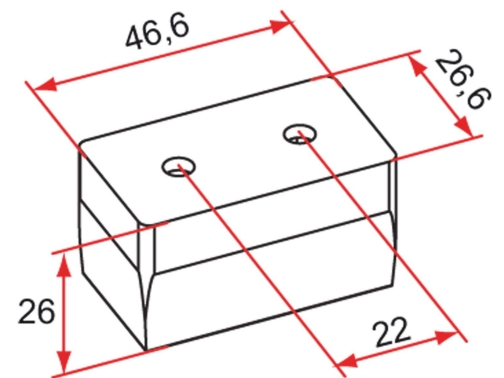


Common accessories
for gates



Features

- In composite For 50x30 or 50x40 clipped profile, thickness 1.8 mm
For invisible fixing of an intermediate crosspiece



Products to be ordered from :
TIRARD SAS 16, Avenue du Vimeu Vert Z.A. du Vimeu Industriel 80210
FEUQUIERES-EN-VIMEU
email : commande@tirard-burgaud.com

Possible applications include :



Common accessories
for gates



Référence	Finish	GENCOD 3661598	Condit. par	Délai j
LJ591011	white	00669 9	50	7

 Multi-RAL : specify your color when placing the order (<https://www.couleursral.fr/ral-classic>)