

Possible applications include :



Wooden wing shutter accessories



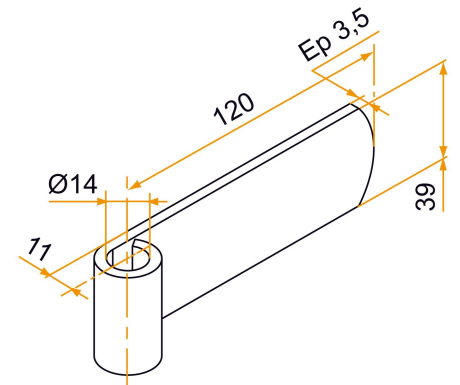
Features

- Made of steel



Tip

- Add 8 mm to the offset of the node to obtain dimension x.  
Example with node Ø14 offset 11mm:  $x = (8+11) = 19\text{mm}$ .



Products to be ordered from :  
BURGAUD SAS 147, rue des Paludiers Z.I. des Mares 85270 SAINT-HILAIRE-DE-RIEZ  
email : [commande@tirard-burgaud.com](mailto:commande@tirard-burgaud.com)

Possible applications include :



Wooden wing shutter accessories



Référence	Finish	GENCOD 3565920	Condit. par	Délai j
1PE92023	9005-30%	11880 0	50	14

Multi-RAL : specify your color when placing the order (<https://www.couleursral.fr/ral-classic>)