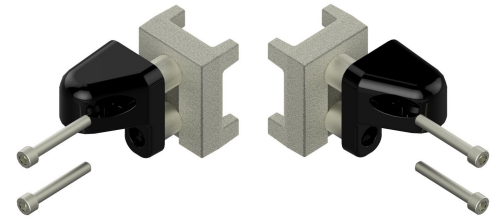


Possible applications include :



Swinging gate accessories



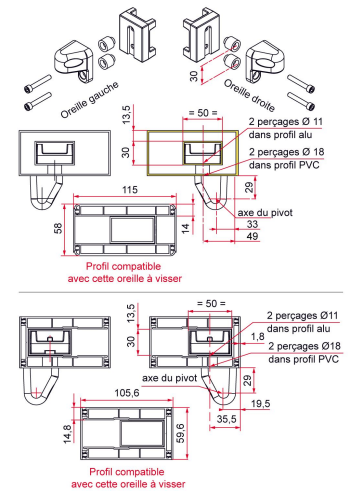
## Features

- Aluminum ear Aluminum spacers and raw aluminum insert
- Composite anti-friction ring Ø12"



**Tip**

- The screw-on ears with their fixing inserts are specific to certain integrated frame profiles on the market (please contact us). For a good hold of this joint on the leaf, it is imperative to install these ears with an insert in the integrated frame.

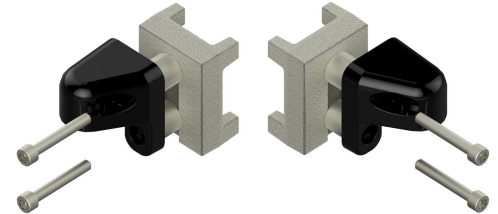


Products to be ordered from :  
 TIRARD SAS 16, Avenue du Vimeu Vert Z.A. du Vimeu Industriel 80210  
 FEUQUIERES-EN-VIMEU  
 email : [commande@tirard-burgaud.com](mailto:commande@tirard-burgaud.com)

Possible applications include :



Swinging gate accessories



Référence	Ear	Finish	GENCOD 3661598	Condit. par	Délai j
NE691204	LEFT	9016-80%	04399 1	1	14
NE690204	LEFT	9010-30%	01956 9	1	14
NE693204	LEFT	azure white	01969 9	1	14
NE625204	LEFT	1015-80%	04400 4	1	14
NE6XX204	LEFT		01978 1	1	21
NE691104	RIGHT	9016-80%	04398 4	1	14
NE690104	RIGHT	9010-30%	01954 5	1	14
NE693104	RIGHT	azure white	01967 5	1	14
NE625104	RIGHT	1015-80%	04401 1	1	14
NE6XX104	RIGHT		01974 3	1	21

Multi-RAL : specify your color when placing the order (<https://www.couleursral.fr/ral-classic>)