

Possible applications include :



Sliding gate



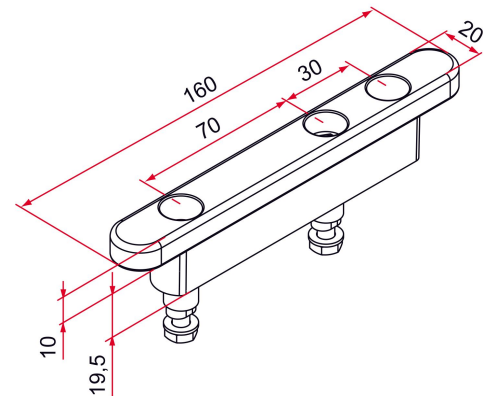
Features

- Self-adjusting composite glide pad Integrated anti-lift function
- Greater guide range than fingers Self-adjusting (20mm) to compensate for any threshold misalignment



Tip

- Self-adjusting in height to absorb the lack of parallelism between the upper and lower rail.



Products to be ordered from :
 TIRARD SAS 16, Avenue du Vimeu Vert Z.A. du Vimeu Industriel 80210
 FEUQUIERES-EN-VIMEU
 email : commande@tirard-burgaud.com

Possible applications include :



Sliding gate



Référence	Content	Finish	GENCOD 3661598	Condit. par	Délai j
NN501003	with screws	white	01790 9	1	7
NN501003SV	unrelated	white	04829 3	1	7

 Multi-RAL : specify your color when placing the order (<https://www.couleursral.fr/ral-classic>)