

Possible applications include :



Wooden wing shutter accessories



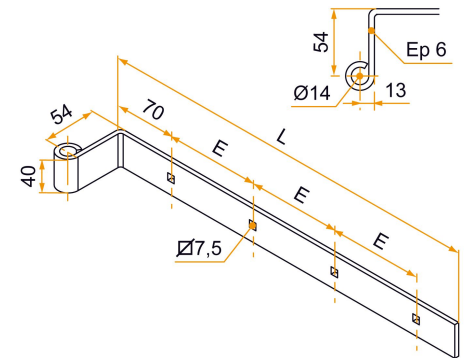
## Features

- Made of steel



Tip

- "For Twin Hinges, please refer to the page "Hinges for Double Shutters" (See table of contents)"



Products to be ordered from :  
BURGAUD SAS 147, rue des Paludiers Z.I. des Mares 85270 SAINT-HILAIRE-DE-RIEZ  
email : [commande@tirard-burgaud.com](mailto:commande@tirard-burgaud.com)



## Right angled hinge - square end - Ø14 - 40x6 - square holes of 7.5 - H bending

Possible applications include :



Wooden wing shutter  
accessories



Référence	L	No. of holes	CD	Finish	GENCOD 3565920	Condit. par	Délai j
1PD92573	300	3	105	9005-30%	17564 3	12	21
1PD92346	350	3	130	9005-30%	11701 8	12	21
1PD92347	400	3	155	9005-30%	11702 5	12	21
1PD92348	450	4	120	9005-30%	11703 2	12	21
1PD92349	500	4	137	9005-30%	11704 9	6	21
1PD92350	550	4	153	9005-30%	11705 6	6	21
1PD92351	600	4	170	9005-30%	11706 3	6	14
1PD92352	650	5	140	9005-30%	11707 0	6	21
1PD92353	700	5	153	9005-30%	11708 7	6	21
1PD92354	800	5	178	9005-30%	11709 4	6	14
1PD92574	900	5	203	9005-30%	17565 0	6	21
1PD92575	1000	5	228	9005-30%	17566 7	6	21
1PD92576	1200	6	222	9005-30%	17567 4	3	14

 Multi-RAL : specify your color when placing the order (<https://www.couleursral.fr/ral-classic>)