

Possible applications include :

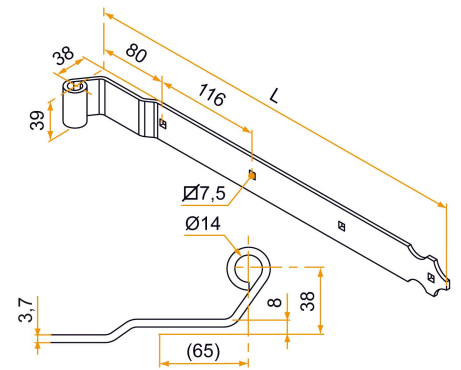


PVC and Aluminum
wing shutter
accessories



Features

- In aluminum. To be used for double shutters.



Products to be ordered from :
BURGAUD SAS 147, rue des Paludiers Z.I. des Mares 85270 SAINT-HILAIRE-DE-RIEZ
email : commande@tirard-burgaud.com

Possible applications include :



PVC and Aluminum wing shutter accessories



Référence	L	No. of holes	Finish	GENCOD 3565920	Condit. par	Délai j
800018	216	2	9005-30%	05089 6	50	21
8000196	216	2	9016-80%	06088 8	50	21
800018RAL	216	2		11450 5	1	21
8000296	332	3	9016-80%	06000 0	50	21
800028	332	3	9005-30%	04332 4	50	21
800028RAL	332	3		08652 9	1	21
800038	448	4	9005-30%	04334 8	25	21
8000396	448	4	9016-80%	06014 7	25	21
800038RAL	448	4		08631 4	1	21
800048	564	5	9005-30%	04336 2	25	21
8000496	564	5	9016-80%	06028 4	25	21
800048RAL	564	5		08297 2	1	21
800058	680	6	9005-30%	04338 6	15	21
8000596	680	6	9016-80%	06044 4	15	21
800058RAL	680	6		11310 2	1	21

Multi-RAL : specify your color when placing the order (<https://www.couleursral.fr/ral-classic>)