

Possible applications include :



Rolling shutter accessories

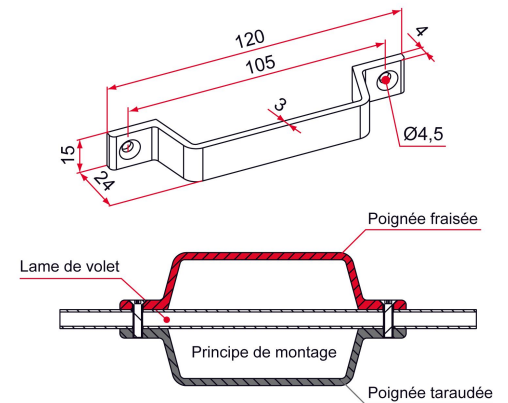


Menuiserie et agencement



Features

- In aluminum. Surface-mounted with M4 screws (not included). Recessed handle for surface mounting on the final slat. Allows for manual operation of direct pull roller shutter slats from both the inside and outside.



Products to be ordered from :
 TIRARD SAS 16, Avenue du Vimeu Vert Z.A. du Vimeu Industriel 80210
 FEUQUIERES-EN-VIMEU
 email : commande@tirard-burgaud.com

Possible applications include :




Rolling shutter accessories



Menuiserie et agencement



Référence	Finish	GENCOD 3661598	Condit. par	Délai j
AJ392001	9005-80%	03694 8	50	7
AJ391001	9016-80%	00176 2	50	7
AJ315001	NCS 2005 Y40R (beige) -80%	01196 9	50	7
AJ380001	8019-80%	00174 8	50	7
AJ381001	8003-80%	03809 6	50	7
AJ310001	7035-80%	00172 4	50	7
AJ3XX001		02244 6	1	21

 Multi-RAL : specify your color when placing the order (<https://www.couleursral.fr/ral-classic>)