

Possible applications include :



Rolling shutter accessories

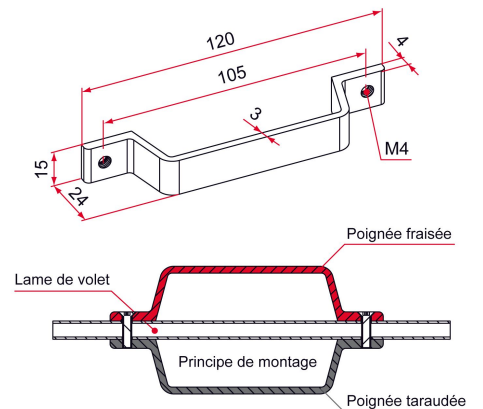


Menuiserie et agencement



Features

- In aluminum. Surface-mounted with M4 screws (not included). Threaded handle for surface mounting on the final slat. Allows for manual operation of direct pull roller shutter slats from both the inside and outside.



Products to be ordered from :
 TIRARD SAS 16, Avenue du Vimeu Vert Z.A. du Vimeu Industriel 80210
 FEUQUIERES-EN-VIMEU
 email : commande@tirard-burgaud.com

Possible applications include :



Rolling shutter accessories



Menuiserie et agencement



| Référence | Finish | GENCOD 3661598 | Condit. par | Délai j |
|-----------|----------------------------|-------------------|----------------|---------|
| AJ392002 | 9005-80% | 03693 1 | 50 | 7 |
| AJ391002 | 9016-80% | 00177 9 | 50 | 7 |
| AJ315002 | NCS 2005 Y40R (beige) -80% | 01197 6 | 50 | 7 |
| AJ380002 | 8019-80% | 00175 5 | 50 | 7 |
| AJ381002 | 8003-80% | 03810 2 | 50 | 7 |
| AJ310002 | 7035-80% | 00173 1 | 50 | 7 |
| AJ3XX002 | | 02245 3 | 1 | 21 |

Multi-RAL : specify your color when placing the order (<https://www.couleursral.fr/ral-classic>)