

Possible applications include :



Rolling shutter accessories

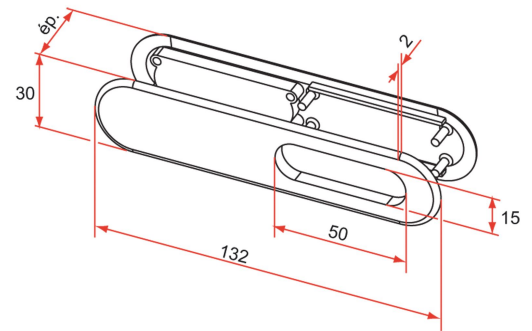


Menuiserie et agencement



Features

- In composite material To be embedded in the intermediate or final slat Allows for manual operation of direct pull roller shutter slats from both the inside and outside Can be clipped together in a through milling of the slat (23 x 115 mm) 2 models available depending on the slat thickness



Products to be ordered from :
 TIRARD SAS 16, Avenue du Vimeu Vert Z.A. du Vimeu Industriel 80210
 FEUQUIERES-EN-VIMEU
 email : commande@tirard-burgaud.com

Possible applications include :



Rolling shutter accessories



Menuiserie et agencement



Référence	Thickness	Finish	GENCOD 3661598	Condit. par	Délai j
AJ592011	7 to 9	black	02420 4	25	7
AJ591001	7 to 9	White signaling	00182 3	25	7
AJ590001	7 to 9	pure white	03861 4	25	7
AJ515001	7 to 9	beige	01198 3	25	7
AJ580001	7 to 9	brown	00180 9	25	7
AJ581001	7 to 9	caramel	03058 8	25	7
AJ570001	7 to 9	gray	00178 6	25	7
AJ592012	13 to 15	black	02421 1	25	7
AJ591002	13 to 15	White signaling	00183 0	25	7
AJ590002	13 to 15	pure white	04107 2	25	7
AJ515002	13 to 15	beige	01199 0	25	7
AJ580002	13 to 15	brown	00181 6	25	7
AJ581002	13 to 15	caramel	04109 6	25	7
AJ570002	13 to 15	gray	00179 3	25	7

 Multi-RAL : specify your color when placing the order (<https://www.couleursral.fr/ral-classic>)