

Possible applications include :



Wooden wing shutter accessories



PVC and Aluminum wing shutter accessories

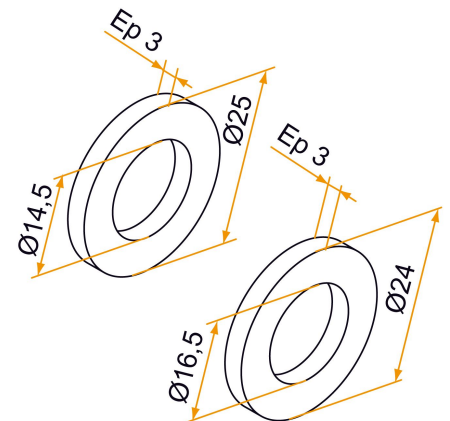


External thermal insulation



Features

- In composite. Helps to limit the wear, which is inevitable over time, of the parts in friction between hinges and pintles.



Products to be ordered from :
BURGAUD SAS 147, rue des Paludiers Z.I. des Mares 85270 SAINT-HILAIRE-DE-RIEZ
email : commande@tirard-burgaud.com

Possible applications include :



Wooden wing shutter accessories



PVC and Aluminum wing shutter accessories



External thermal insulation



Référence	Ø inside	Finish	GENCOD 3565920	Condit. par	Délai j
900600	14,5	black	03662 3	100	14
900601	14,5	white	03663 0	100	14
900602	16,5	natural	04814 5	100	14

 Multi-RAL : specify your color when placing the order (<https://www.couleursral.fr/ral-classic>)