

Possible applications include :

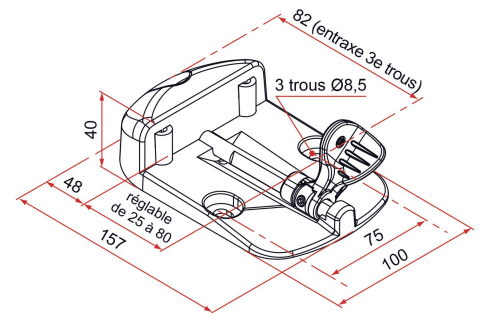


Swinging gate accessories



## Features

- 40 mm high polyamide sole with fiberglass reinforcement, to be screwed or embedded (with embedding tabs not provided).
- Metal axis and composite buffer turnstile.
- Cushioning buffer.
- 3 fixing points (screws not provided).



Products to be ordered from :  
 TIRARD SAS 16, Avenue du Vimeu Vert Z.A. du Vimeu Industriel 80210  
 FEUQUIERES-EN-VIMEU  
 email : [commande@tirard-burgaud.com](mailto:commande@tirard-burgaud.com)

Possible applications include :



Swinging gate accessories



Référence	Finish	GENCOD 3661598	Condit. par	Délai j
QA592305P	black	04000 6	6	7

 Multi-RAL : specify your color when placing the order (<https://www.couleursral.fr/ral-classic>)