

Possible applications include :



Rolling shutter accessories



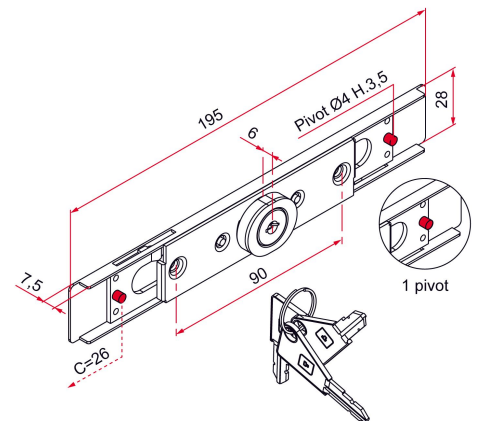
Features

- Drive pivots: Ø4 mm With fixing screws for counterplate



Tip

- Option for keyed alike cylinders: add S to the end of the article code.



Products to be ordered from :
 TIRARD SAS 16, Avenue du Vimeu Vert Z.A. du Vimeu Industriel 80210
 FEUQUIERES-EN-VIMEU
 email : commande@tirard-burgaud.com



AA40 lock with security cylinder for blade thickness 7 to 9 - 1 hinge H.3.5

Possible applications include :



Rolling shutter accessories



Référence	Material	Finish	GENCOD 3661598	Condit. par	Délai j
AA192001	steel	9005-30%	03700 6	1	7
AA191001	steel	9016-80%	00057 4	1	7
AA115001	steel	NCS 2005 Y40R (beige) -80%	01200 3	1	7
AA180001	steel	8019-80%	00037 6	1	7
AA170001	steel	7035-80%	00021 5	1	7
AA114001	steel	Zn	00001 7	1	7
AA292001	brass	9005-30%	03703 7	1	7
AA291001	brass	9016-80%	00109 0	1	7
AA215001	brass	NCS 2005 Y40R (beige) -80%	01216 4	1	14
AA280001	brass	8019-80%	00093 2	1	14
AA270001	brass	7035-80%	00077 2	1	14

 Multi-RAL : specify your color when placing the order (<https://www.couleursral.fr/ral-classic>)