

Possible applications include :



Rolling shutter accessories



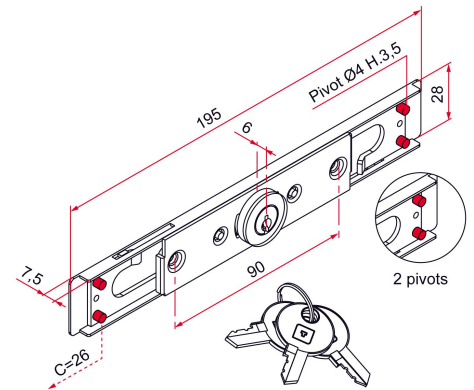
## Features

- Drive pivots Ø4 mm With fixing screws for counterplate



Tip

- Option for interlocking: add S to the end of the article code.



Products to be ordered from :  
 TIRARD SAS 16, Avenue du Vimeu Vert Z.A. du Vimeu Industriel 80210  
 FEUQUIERES-EN-VIMEU  
 email : [commande@tirard-burgaud.com](mailto:commande@tirard-burgaud.com)

Possible applications include :



Rolling shutter accessories



Référence	Material	Finish	GENCOD 3661598	Condit. par	Délai j
AA192010	steel	9005-30%	02954 4	1	7
AA191010	steel	9016-80%	00075 8	1	7
AA115008	steel	NCS 2005 Y40R (beige) -80%	01214 0	1	7
AA180010	steel	8019-80%	00055 0	1	7
AA181010	steel	8003-80%	02275 0	1	14
AA170008	steel	7035-80%	00035 2	1	7
AA114010	steel	Zn	00019 2	1	7
AA292008	brass	9005-30%	03691 7	1	7
AA291008	brass	9016-80%	00123 6	1	7
AA215008	brass	NCS 2005 Y40R (beige) -80%	01230 0	1	14
AA280008	brass	8019-80%	00107 6	1	14
AA270008	brass	7035-80%	00091 8	1	14

 Multi-RAL : specify your color when placing the order (<https://www.couleursral.fr/ral-classic>)