

Possible applications include :

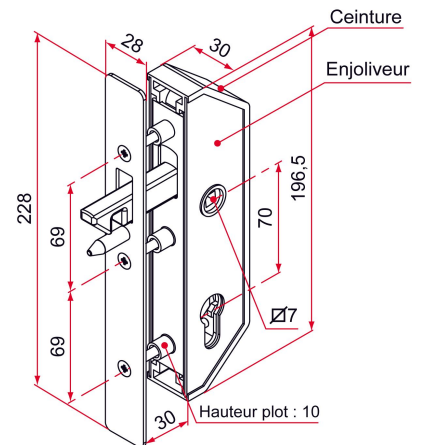


Sliding gate



Features

- Supplied with 2 powdered covers Composite belt Raw stainless steel 304 headpiece Supplied with fixing screws



Products to be ordered from :
 TIRARD SAS 16, Avenue du Vimeu Vert Z.A. du Vimeu Industriel 80210
 FEUQUIERES-EN-VIMEU
 email : commande@tirard-burgaud.com



GJ lock with lifting bolt for 30mm frame - 7mm spindle

Possible applications include :



Sliding gate



Référence	Trim finish	Belt finish	GENCOD 3661598	Condit. par	Délai j
GJ792312	9005-80%	black	00958 4	1	7
GJ791312	9016-80%	white	00952 2	1	7

 Multi-RAL : specify your color when placing the order (<https://www.couleursral.fr/ral-classic>)