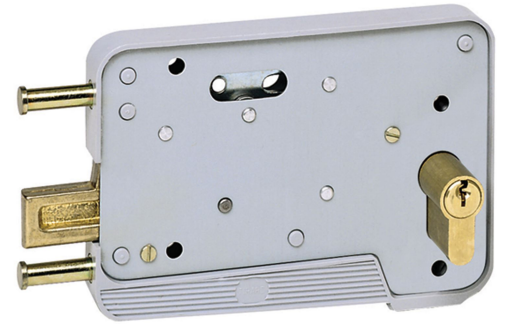


Possible applications include :



Garage door accessories

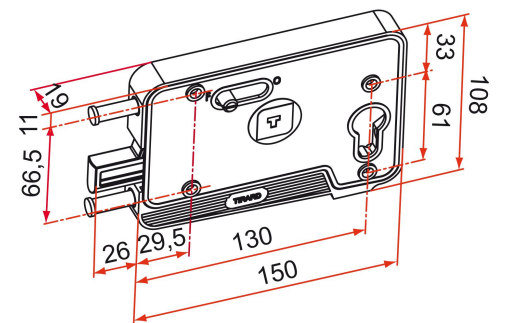


Features

- for surface mount



- Cylinder length to order according to the panel thickness:
 - - From 20 to 22 mm : 10 + 40 CYLINDER
 - - From 23 to 32 mm : 10 + 50 CYLINDER



Products to be ordered from :
 TIRARD SAS 16, Avenue du Vimeu Vert Z.A. du Vimeu Industriel 80210
 FEUQUIERES-EN-VIMEU
 email : commande@tirard-burgaud.com

Possible applications include :



Garage door accessories



Référence	Finish	GENCOD 3661598	Condit. par	Délai j
EA571301	gray	00429 9	1	7

 Multi-RAL : specify your color when placing the order (<https://www.couleursral.fr/ral-classic>)