

Possible applications include :

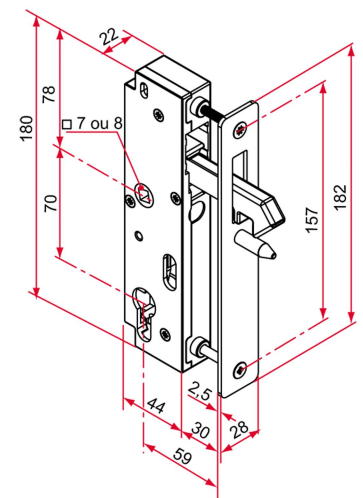


Sliding gate



Features

- Composite lock case Stainless steel 304 faceplate



Products to be ordered from :
 TIRARD SAS 16, Avenue du Vimeu Vert Z.A. du Vimeu Industriel 80210
 FEUQUIERES-EN-VIMEU
 email : commande@tirard-burgaud.com



GK lock with lifting bolt zamak - 59mm axis - square strike plate - for 30mm frame - recessed

Possible applications include :



Sliding gate



Référence	Square spindle	Headrest finish	GENCOD 3661598	Condit. par	Délai j
GK401204	7	brush	03002 1	1	7
GK401214	8	brush	03003 8	1	7

 Multi-RAL : specify your color when placing the order (<https://www.couleursral.fr/ral-classic>)