

Possible applications include :



Swinging gate accessories



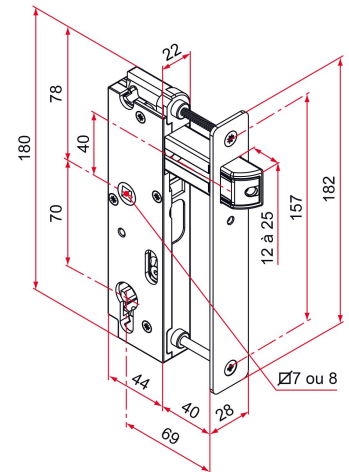
Features

- Composite lock case and 304 stainless steel faceplate. Reversible.



Tip

- For the colored versions, only the headplate is painted.



Products to be ordered from :
 TIRARD SAS 16, Avenue du Vimeu Vert Z.A. du Vimeu Industriel 80210
 FEUQUIERES-EN-VIMEU
 email : commande@tirard-burgaud.com



GK lock with recessed bolt zamak - 69mm axis - square strike plate - for 40x40 frame - recessed

Possible applications include :



Swinging gate accessories



| Référence | Square spindle | Finish | GENCOD 3661598 | Condit. par | Délai j |
|-----------|----------------|----------|-------------------|----------------|---------|
| GK492105 | 7 | 9005-80% | 02986 5 | 1 | 7 |
| GK491105 | 7 | 9016-80% | 02985 8 | 1 | 14 |
| GK401105 | 7 | brush | 02984 1 | 1 | 7 |
| GK4XX105 | 7 | | 04911 5 | 1 | 21 |
| GK492115 | 8 | 9005-80% | 02989 6 | 1 | 7 |
| GK491115 | 8 | 9016-80% | 02988 9 | 1 | 14 |
| GK401115 | 8 | brush | 02987 2 | 1 | 7 |
| GK4XX115 | 8 | | 04912 2 | 1 | 21 |

Multi-RAL : specify your color when placing the order (<https://www.couleursral.fr/ral-classic>)