

Possible applications include :



Swinging gate accessories

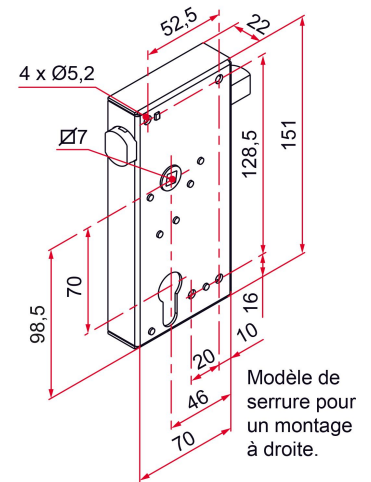


Features

- Adjustable latch Operated by a 7mm square spindle Interior and exterior locking with key (double cylinder) Supplied with fixing screws



- For external opening, add an R to the end of the article code for your order. Pay attention to the direction of the lock.



Products to be ordered from :
 TIRARD SAS 16, Avenue du Vimeu Vert Z.A. du Vimeu Industriel 80210
 FEUQUIERES-EN-VIMEU
 email : commande@tirard-burgaud.com



GE surface-mounted lock with recessed bolt in steel.

Possible applications include :



Swinging gate accessories



| Référence | Mounting direction | Finish | GENCOD 3661598 | Condit. par | Délai j |
|-----------|--------------------|----------|-------------------|----------------|---------|
| GE192201 | LEFT | 9005-80% | 00500 5 | 1 | 7 |
| GE192101 | RIGHT | 9005-80% | 00499 2 | 1 | 7 |

 Multi-RAL : specify your color when placing the order (<https://www.couleursral.fr/ral-classic>)