

Possible applications include :



Swinging gate accessories

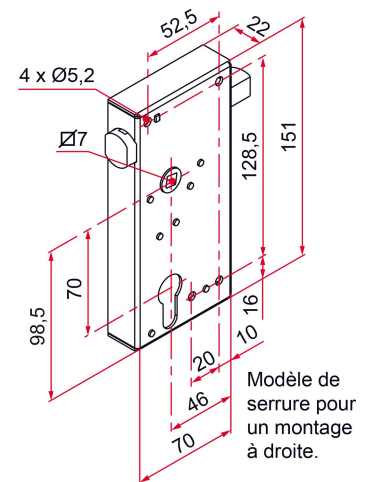


## Features

- Adjustable latch Operated by a 7mm square spindle Internal and external locking with key (double cylinder) Supplied with fixing screws



- For external opening, add an R to the end of the article code for your order. Pay attention to the direction of the lock.



Products to be ordered from :  
 TIRARD SAS 16, Avenue du Vimeu Vert Z.A. du Vimeu Industriel 80210  
 FEUQUIERES-EN-VIMEU  
 email : [commande@tirard-burgaud.com](mailto:commande@tirard-burgaud.com)

Possible applications include :



Swinging gate accessories



Référence	Mounting direction	Finish	GENCOD 3661598	Condit. par	Délai j
GE292201	LEFT	9005-80%	00510 4	1	14
GE291201	LEFT	9016-80%	00505 0	1	14
GE292101	right	9005-80%	00509 8	1	7
GE291101	right	9016-80%	00504 3	1	14

 Multi-RAL : specify your color when placing the order (<https://www.couleursral.fr/ral-classic>)