

Possible applications include :



Sliding gate



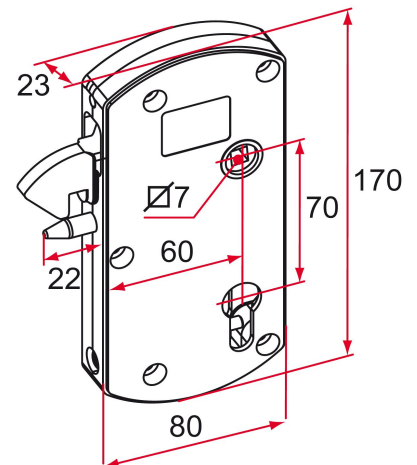
Features

- Composite lock housing Anti-lift finger Screw cover caps
- Supplied with stainless steel fixing screws



Tip

- The M at the end of the references means that the lock is fixed on a stainless steel frame and is delivered with metric thread screws. Dressing accessories for this lock: ABS monobloc housing, zamak housing and zamak trim.



Products to be ordered from :
 TIRARD SAS 16, Avenue du Vimeu Vert Z.A. du Vimeu Industriel 80210
 FEUQUIERES-EN-VIMEU
 email : commande@tirard-burgaud.com

Possible applications include :



Sliding gate



Référence	Finish	GENCOD 3661598	Condit. par	Délai j
GB592004	black	01419 9	1	7
GB591004	white	01416 8	1	7
GB592004M	black	01461 8	1	7
GB591004M	white	01452 6	1	7

 Multi-RAL : specify your color when placing the order (<https://www.couleursral.fr/ral-classic>)