

Possible applications include :



PVC and Aluminum
wing shutter
accessories



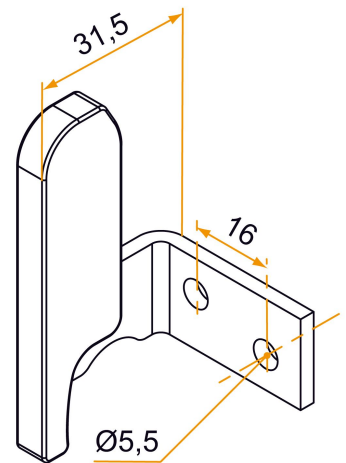
Features

- Aluminum protection in composite



Tip

- Also recommended for installation on the frame of the shutter traverse.



Products to be ordered from :
BURGAUD SAS 147, rue des Paludiers Z.I. des Mares 85270 SAINT-HILAIRE-DE-RIEZ
email : commande@tirard-burgaud.com

Possible applications include :



PVC and Aluminum wing shutter accessories



Référence	Finish	Composite part	GENCOD 3565920	Condit. par	Délai j
3ES92006	9005-30%	black	11573 1	100	7
3ES91006	9016-80%	white	11572 4	100	14
3ES92006RAL		black	11574 8	1	14
3ES92012RAL		white	11575 5	1	14

Multi-RAL : specify your color when placing the order (<https://www.couleursral.fr/ral-classic>)