

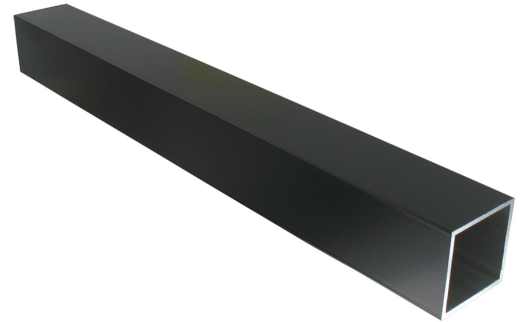
Possible applications include :



Swinging gate accessories

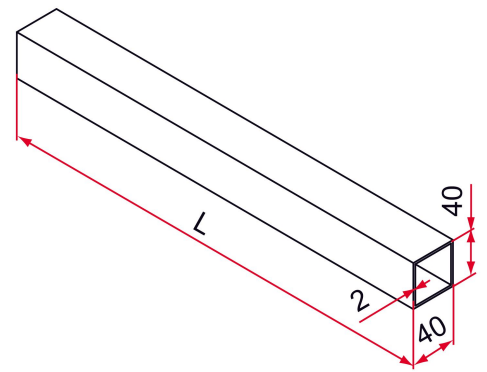


Sliding gate



Features

- In aluminum. Pack of 6 tubes, each measuring 5.670 m.



Products to be ordered from :
 TIRARD SAS 16, Avenue du Vimeu Vert Z.A. du Vimeu Industriel 80210
 FEUQUIERES-EN-VIMEU
 email : commande@tirard-burgaud.com

Possible applications include :



Swinging gate accessories



Sliding gate



Référence	L	Finish	GENCOD 3661598	Condit. par	Délai j
TUU001N53	3800	9005-30%	05591 8	6	7
TUU001B68	3800	9016-80%	05592 5	6	7
QE392010	5670	9005-30%	01916 3	6	7
QE391010	5670	9016-80%	01915 6	6	7

 Multi-RAL : specify your color when placing the order (<https://www.couleursral.fr/ral-classic>)