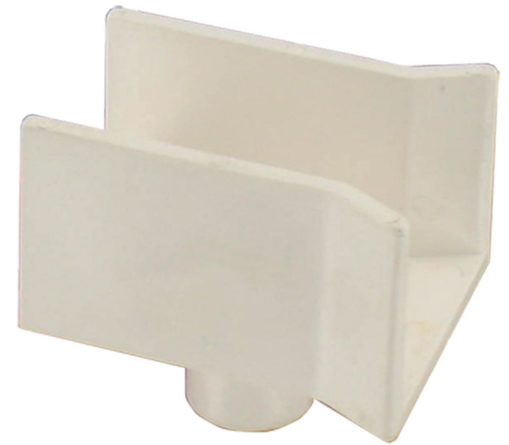


Possible applications include :

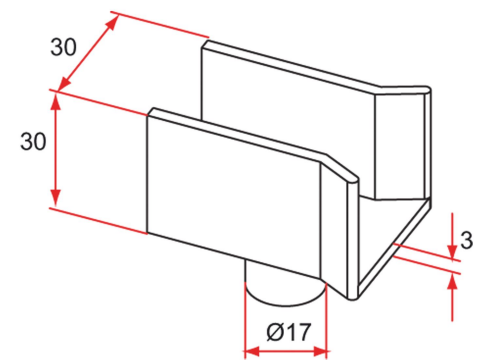


Sliding gate



Features

- In composite. To guide the finger at the end of the upper rail.

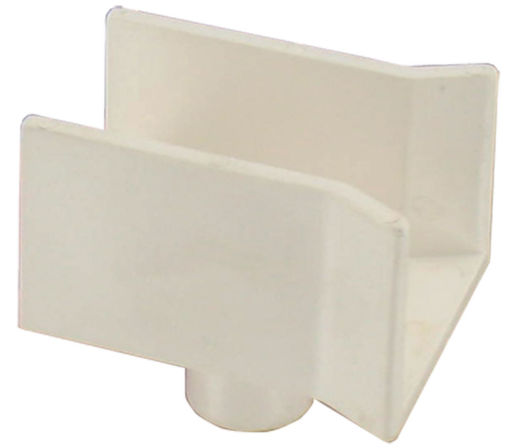


Products to be ordered from :
 TIRARD SAS 16, Avenue du Vimeu Vert Z.A. du Vimeu Industriel 80210
 FEUQUIERES-EN-VIMEU
 email : commande@tirard-burgaud.com

Possible applications include :



Sliding gate



Référence	Finish	GENCOD 3661598	Condit. par	Délai j
NN590001	white	00754 2	1	7

 Multi-RAL : specify your color when placing the order (<https://www.couleursral.fr/ral-classic>)