

Possible applications include :

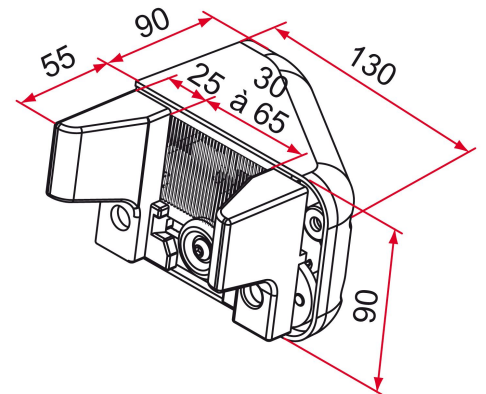


Sliding gate



Features

- Reversible rubber drain covers to prevent markings or scratches on the gate
- 5mm stainless steel bracket
- Aluminum cover
- Black nylon brush to protect the opening of the housing
- For wooden, PVC or aluminum gates with a thickness of 30 to 65mm (adjustable drain covers)




Products to be ordered from :
 TIRARD SAS 16, Avenue du Vimeu Vert Z.A. du Vimeu Industriel 80210
 FEUQUIERES-EN-VIMEU
 email : commande@tirard-burgaud.com

Possible applications include :



Sliding gate



Référence	Finish	GENCOD 3661598	Condit. par	Délai j
NN792101SAT	9005-30%	05114 9	3	7
NN792101	9005-80%	04354 0	3	7
NN791101SAT	9016-30%	05113 2	3	14
NN791101	9016-80%	04355 7	3	7
NN725101	1015-givre	04356 4	3	14
NN7XX101		04357 1	1	21

 Multi-RAL : specify your color when placing the order (<https://www.couleursral.fr/ral-classic>)