

Possible applications include :

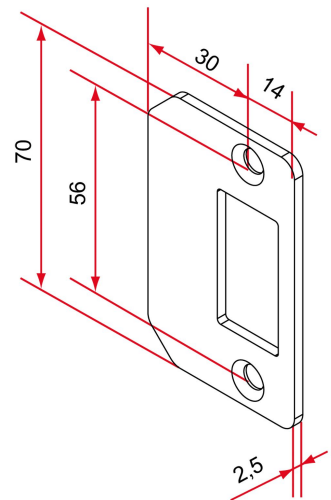


Swinging gate accessories



Features

- In stainless steel 304 Reversible Compatible with all GK locks



Products to be ordered from :
 TIRARD SAS 16, Avenue du Vimeu Vert Z.A. du Vimeu Industriel 80210
 FEUQUIERES-EN-VIMEU
 email : commande@tirard-burgaud.com



GK latch for gate with profile thickness up to 60mm.

Possible applications include :



Swinging gate accessories



Référence	Finish	GENCOD 3661598	Condit. par	Délai j
GK492321	9005-80%	04232 1	1	14
GK491321	9016-80%	04231 4	1	7
GK401321	raw	04230 7	1	7
GK4XX321		04920 7	1	21

Multi-RAL : specify your color when placing the order (<https://www.couleursral.fr/ral-classic>)