

Possible applications include :

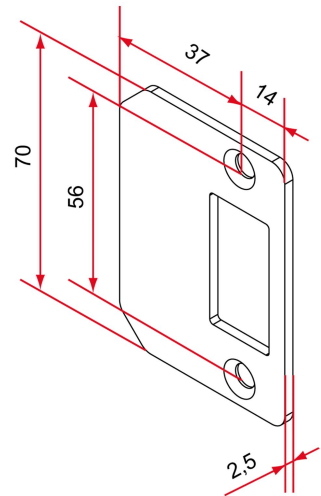


Swinging gate accessories



## Features

- In stainless steel 304 Reversible Compatible with all GK locks



Products to be ordered from :  
TIRARD SAS 16, Avenue du Vimeu Vert Z.A. du Vimeu Industriel 80210  
FEUQUIERES-EN-VIMEU  
email : [commande@tirard-burgaud.com](mailto:commande@tirard-burgaud.com)



# GK latch for gate with profile thickness up to 75mm.

Possible applications include :



Swinging gate accessories



Référence	Finish	GENCOD 3661598	Condit. par	Délai j
GK492331	9005-80%	04235 2	1	7
GK491331	9016-80%	04234 5	1	7
GK401331	raw	04233 8	1	7
GK4XX331		04924 5	1	21

Multi-RAL : specify your color when placing the order (<https://www.couleursral.fr/ral-classic>)