

Possible applications include :

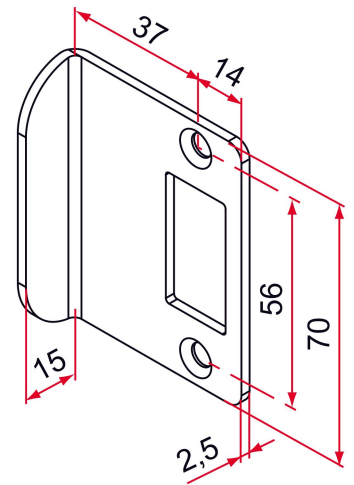


Swinging gate accessories



## Features

- In Stainless Steel 304 Reversible Compatible with all GK locks



Products to be ordered from :  
 TIRARD SAS 16, Avenue du Vimeu Vert Z.A. du Vimeu Industriel 80210  
 FEUQUIERES-EN-VIMEU  
 email : [commande@tirard-burgaud.com](mailto:commande@tirard-burgaud.com)



# GK stopper for gate with profile thickness up to 75mm

Possible applications include :



Swinging gate accessories



Référence	Finish	GENCOD 3661598	Condit. par	Délai j
GK492451	9005-80%	04253 6	1	7
GK491451	9016-80%	04252 9	1	14
GK401451	raw	04251 2	1	7
GK4XX451		05332 7	1	21

Multi-RAL : specify your color when placing the order (<https://www.couleursral.fr/ral-classic>)