

Possible applications include :



Garage door accessories



Wing shutter and louver accessories



Common accessories for gates



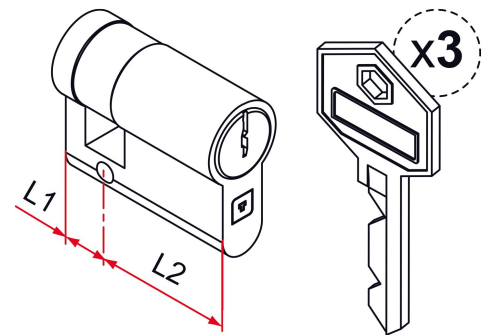
Features

- In brass Stainless steel spring Comes with 3 keys



Tip

- Possibility of being partially open, add an S at the end of the article code (2 key numbers 34512 / 53413). Determine the length of the cylinder according to the thickness of the lock supports, plates or entrances.



Products to be ordered from :
 TIRARD SAS 16, Avenue du Vimeu Vert Z.A. du Vimeu Industriel 80210
 FEUQUIERES-EN-VIMEU
 email : commande@tirard-burgaud.com

Possible applications include :



Garage door accessories



Wing shutter and louver accessories



Common accessories for gates



Référence	L1	L2	Finish	GENCOD 3661598	Condit. par	Délai j
JJ201001	10	30	polite	00600 2	1	7
JJ201002	10	40	polite	00602 6	1	7
JJ201015	10	45	polite	02436 5	1	7
JJ201003	10	50	polite	00604 0	1	7
JJ201016	10	55	polite	02437 2	1	7
JJ201004	10	60	polite	00606 4	1	7
JJ201005	10	70	polite	00608 8	1	7
JJ201001S	10	30	polite	00601 9	1	7
JJ201002S	10	40	polite	00603 3	1	7
JJ201003S	10	50	polite	00605 7	1	7
JJ201004S	10	60	polite	00607 1	1	7
JJ201005S	10	70	polite	00609 5	1	7

Multi-RAL : specify your color when placing the order (<https://www.couleursral.fr/ral-classic>)