

Possible applications include :



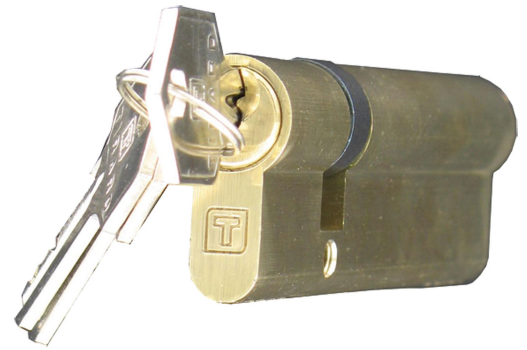
Garage door accessories



Wing shutter and louver accessories



Common accessories for gates



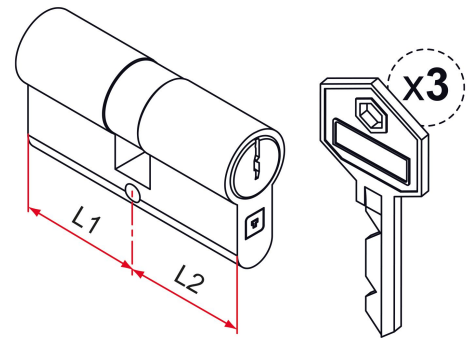
Features

- Stainless steel spring. Comes with 3 keys.



Tip

- Option for partial opening, add an S at the end of the article code (2 key numbers 34512 / 53413). Determine the length of the cylinder based on the thickness of the lock supports, plates or entrances.



Products to be ordered from :  
 TIRARD SAS 16, Avenue du Vimeu Vert Z.A. du Vimeu Industriel 80210  
 FEUQUIERES-EN-VIMEU  
 email : commande@tirard-burgaud.com

## Possible applications include :



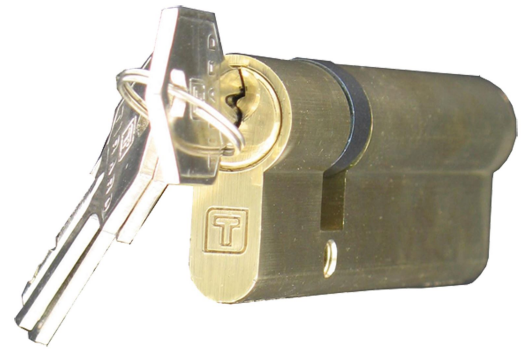
Garage door accessories



Wing shutter and louver accessories



Common accessories for gates



Référence	L1	L2	Finish	GENCOD 3661598	Condit. par	Délai j
JJ201007	30	30	polite	00610 1	1	7
JJ201008	30	40	polite	00612 5	1	7
JJ201009	30	50	polite	00614 9	1	7
JJ201010	30	60	polite	00616 3	1	7
JJ201011	30	70	polite	00618 7	1	7
JJ201012	30	80	polite	00620 0	1	7
JJ201013	30	90	polite	00622 4	1	7
JJ201007S	30	30	polite	00611 8	1	7
JJ201008S	30	40	polite	00613 2	1	7
JJ201009S	30	50	polite	00615 6	1	7
JJ201010S	30	60	polite	00617 0	1	7
JJ201011S	30	70	polite	00619 4	1	7
JJ201012S	30	80	polite	00621 7	1	7
JJ201012S34512	30	80	polite	03889 8	1	7
JJ201013S	30	90	polite	00623 1	1	7

Multi-RAL : specify your color when placing the order (<https://www.couleursral.fr/ral-classic>)