

Possible applications include :

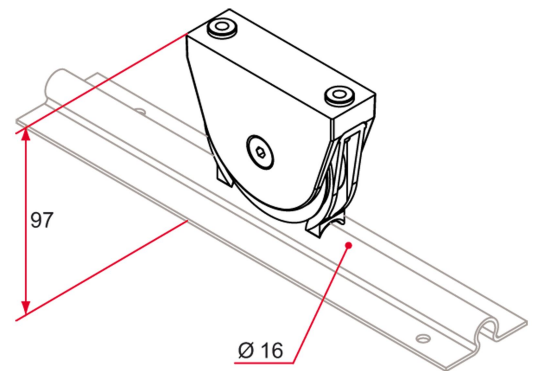


Sliding gate



Features

- Powder-coated aluminum bracket Zinc-plated steel roller
- Load capacity per roller: 200 Kg



Products to be ordered from :
 TIRARD SAS 16, Avenue du Vimeu Vert Z.A. du Vimeu Industriel 80210
 FEUQUIERES-EN-VIMEU
 email : commande@tirard-burgaud.com



Roller - Ø80 - without fixing plate with protection - surface mounted for U-shaped and omega-shaped rail.

Possible applications include :



Sliding gate



Référence	Wheel material	Finish	GENCOD 3661598	Condit. par	Délai j
NZ192020P	steel	9005-80%	04332 8	1	14

Multi-RAL : specify your color when placing the order (<https://www.couleursral.fr/ral-classic>)