

Possible applications include :



Sliding gate



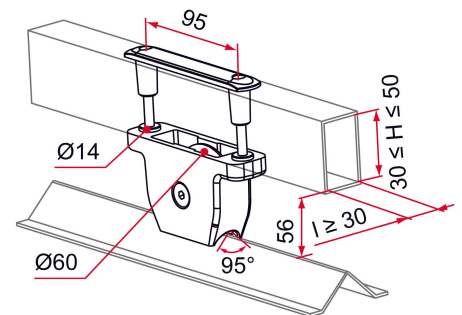
## Features

- Aluminum bracket and plate Zinc-plated steel roller Load capacity per roller 200 Kg With anti-corrosion treated screws (Géomet®) and mounting plate



Tip

- Complies with the NF EN13241-1 standard.



Products to be ordered from :  
 TIRARD SAS 16, Avenue du Vimeu Vert Z.A. du Vimeu Industriel 80210  
 FEUQUIERES-EN-VIMEU  
 email : [commande@tirard-burgaud.com](mailto:commande@tirard-burgaud.com)



# Roller - Ø60 - with fixing plate - surface mounted for V-shaped rail

Possible applications include :



Sliding gate



Référence	Material	Finish	GENCOD 3661598	Condit. par	Délai j
NN192065	steel	9005-80%	04404 2	1	14
NN191065	steel	9016-80%	04403 5	1	14
NN1XX065	steel		04414 1	1	21

Multi-RAL : specify your color when placing the order (<https://www.couleursral.fr/ral-classic>)