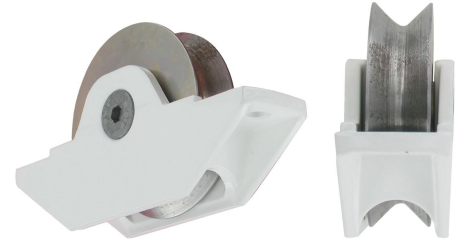


Possible applications include :



Sliding gate



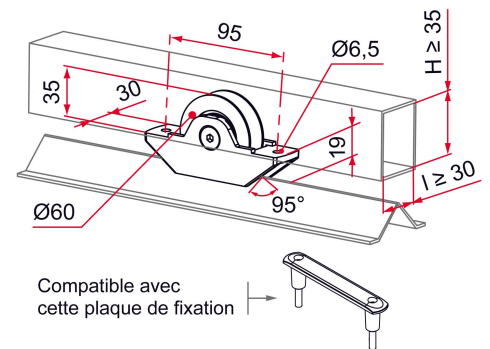
Features

- Powder-coated aluminum bracket and plate. Zinc-plated steel roller. Load capacity per roller: 200 Kg. Comes with corrosion-resistant screws (Géomet®).



Tip

- The fixing plate (see diagram) is compatible with this roller. Complies with the NF EN13241-1 standard.

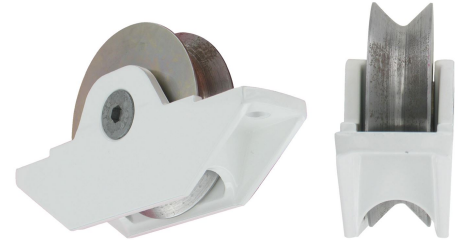


Products to be ordered from :
 TIRARD SAS 16, Avenue du Vimeu Vert Z.A. du Vimeu Industriel 80210
 FEUQUIERES-EN-VIMEU
 email : commande@tirard-burgaud.com

Possible applications include :



Sliding gate



Référence	Wheel material	Finish	GENCOD 3661598	Condit. par	Délai j
NN192045	steel	9005-80%	04410 3	1	21
NN191045	steel	9016-80%	04409 7	1	14
NN1XX045	steel		04416 5	1	21

 Multi-RAL : specify your color when placing the order (<https://www.couleursral.fr/ral-classic>)