

Possible applications include :

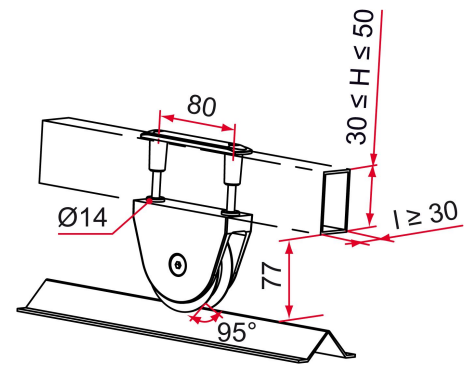


Sliding gate



Features

- Powder-coated aluminum bracket and plate Zinc-plated steel roller Load capacity per roller 200 Kg With anti-corrosion treated screws (Géomet®) and mounting plate



Products to be ordered from :
 TIRARD SAS 16, Avenue du Vimeu Vert Z.A. du Vimeu Industriel 80210
 FEUQUIERES-EN-VIMEU
 email : commande@tirard-burgaud.com



Roller - Ø80 - with fixing plate - surface mounted for V-shaped rail

Possible applications include :



Sliding gate



Référence	Wheel material	Finish	GENCOD 3661598	Condit. par	Délai j
NN192015	steel	9005-80%	04413 4	1	14
NN191015	steel	9016-80%	04412 7	1	7
NN1XX015	steel		04417 2	1	21

Multi-RAL : specify your color when placing the order (<https://www.couleursral.fr/ral-classic>)